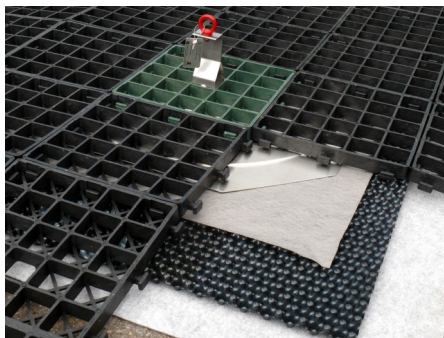


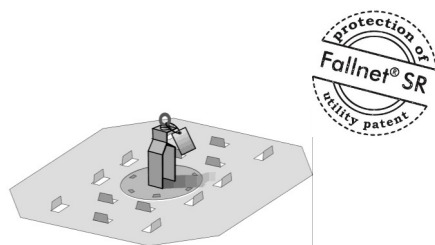
# Product Data Sheet

## Fixing Device Fallnet® SR

Order No. 9050



Fixing device according to European Standard EN 795:2012 Type E. Single fixing point for temporary work with a personal protective equipment (e.g. ZinCo Fallnet® PPE-Set, Order No. 9024) on flat roofs (up to 5° roof pitch).



Fixing point with base plate, support and eye

### Technical Data

#### Fallnet® SR

Fixing device for fall protection according to European Standard EN 795:2012 Type E, consisting of grid elements which are plugged together to a unit with a centrally placed fixing point. To be installed with a superimposed load (up to 2° (3.4%) of inclination minimum 110 kg/m<sup>2</sup>, between 2° and 5° (8.8%) minimum 130 kg/m<sup>2</sup> of Zincolit®, ZinCo System Substrate, gravel 16/32 mm or comparable bulk material) without any roof penetration. Be sure to follow the enclosed installation and operating instructions.

#### Grid element:

|               |                     |
|---------------|---------------------|
| Surface area: | 5.33 m <sup>2</sup> |
| Material:     | RC polyethylene     |
| Height:       | ca. 30 mm           |

The delivery is effected in 4 preassembled grid segments of 1.33 x 1.00 m each

#### Base plate and fixing point:

|  |                                    |
|--|------------------------------------|
| Support and eye:                       | stainless steel, height ca. 200 mm |
| Base plate with vertical locking tabs: | aluminium, ca. 750 mm x 750 mm     |

#### Accessories:

Additional grid segment for extension by 1.33 m<sup>2</sup> (e.g. in case of a reduced superimposed load) **Order No. 9051**

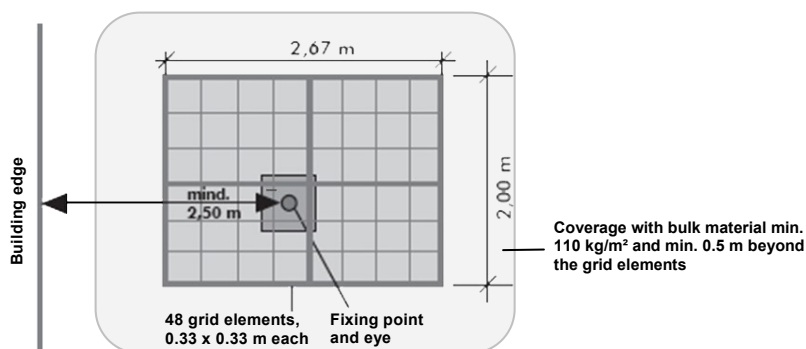
On request Fallnet® SR is also available packaged individually in a cardboard box. Measures: 1400 x 1050 x 230 mm, Weight ca. 47 kg, Order No. 9053

### Features

- certified according to European Standard EN 795:2012 Type E
- easy installation without perforations
- green roof build-up or gravel provides the necessary ballast
- variable forms by special plugging system of grid elements
- quick and easy installation, independent of substructure
- to be retrofitted efficiently due to compact dimensions
- also available packaged individually in a cardboard box



### Schematic Representation



### Specification Suggestion

Fixing device according to European Standard EN 795:2012 Type E, consisting of interlocking plastic grid elements which create a unit of a total size of ca. 5.33 m<sup>2</sup>. The fixing point is placed in the centre of the grid elements. Bulk material provides the necessary ballast. Placement and necessary load

are to be in accordance with the ZinCo Technical department. Delivery and installation according to manufacturer's instructions.

Make: ZinCo Fallnet® SR  
Enquiries: ZinCo Green Roof Systems Ltd.  
Phone: +44 (0)1993 229 700